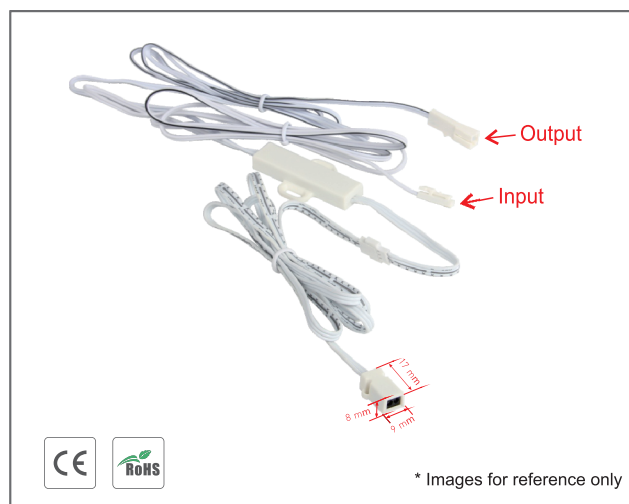


Surface Mounted Door Sensor IR009A-D

Functions:

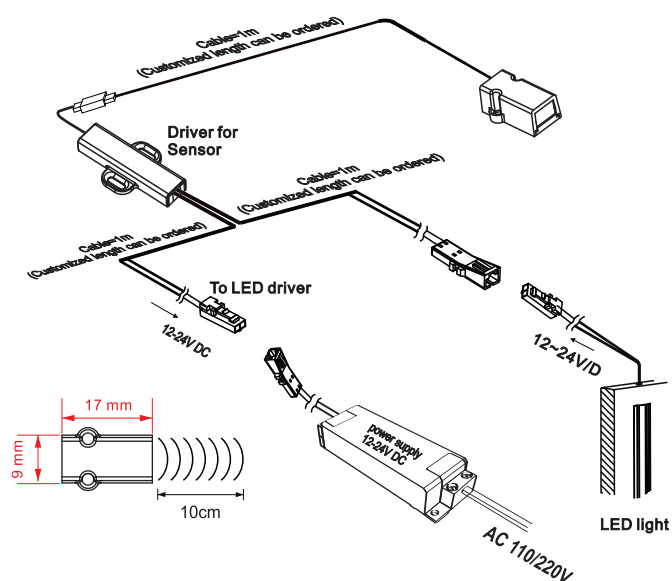
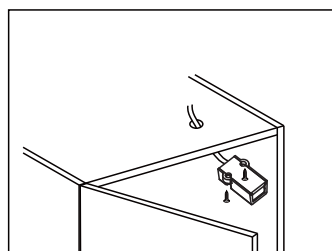
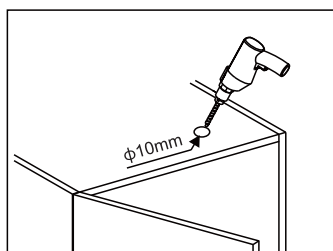
- Automatically switch on/off when door is open/closed.
- Input Voltage: 12V-24V DC.
- Output Voltage: 12V-24V DC.
- Input Current: 4A.
- Load around 48W for 12V, and 96W for 24V.
- Input and output cable length: 1m (Customized length can be ordered).
- LED sensor detector cable length: 1m (Customized length can be ordered).
- $0.5\text{cm} \leq \text{Detection Range} \leq 10\text{cm}$.



Operations:

- The LED lamp connects to the output end.
- The IR sensor switch will turn on the LED light when the door is open and will turn off the LED light when the door is closed.
- Detection range is 10cm from the sensor detector to the door.
- The sensor switch will turn on or off the LED light with above repeatable steps.

Installation Steps:



Notice: Please read the tag on the wire when connecting cables.